



User Manual Of Induction Cooktop



Model: M-ID175

Thank you for purchasing media' s induction cooker.
Please thoroughly read through this instruction manual
before use and store it carefully for future use.

CONTENTS

Table of Contents

Important safeguards	2
Features	6
Package contents	6
Cooktop	6
Control panel	
Cookware compatibility	7
Assembling your cooktop	8
Installing your cooktop	9
Positioning your cooktop	9
Installing your cooktop	10
Using your cooktop	12
Checking pan compatibility	12
Using touch controls	12
Cooking with your cooktop	12
Using the timer	14
Locking the control panel	14
Cleaning and maintenance	15
Troubleshooting	15
Specifications	18
Legal Notices	18
Disclaimer	19

IMPORTANT SAFEGUARDS

Important - Save for the local electrical inspector's use.



**CAUTION
RISK OF ELECTRIC SHOCK
DO NOT OPEN**



This symbol indicates that dangerous voltage constituting a risk of electric shock is present within your cooktop.



This symbol indicates that there are important operating and maintenance instructions in the literature accompanying your cooktop.

When using electrical appliances, basic safety precautions should always be followed, including the following:

- 1 READ ALL INSTRUCTIONS.
- 2 DO NOT TOUCH SURFACE UNITS. USE HANDLES OR KNOBS OR AREAS NEAR UNITS. Surface units may be hot even though they are dark in color. Areas near surface units may become hot enough to cause burns. During and after use, do not touch, or let clothing or other flammable materials contact surface units or areas near units until they have had sufficient time to cool.
- 3 To protect against fire, electric shock, and injury to persons, do not immerse cord, plugs, or the cooktop in water or other liquid.
- 4 Close supervision is necessary when any appliance is used by or near children. Do not allow children to sit or stand on any part of the appliance.
- 5 Do not operate any appliance with a damaged cord or plug or after the appliance malfunctions, or has been damaged in any manner. Return appliance to the nearest authorized service facility for examination, repair, or adjustment.
- 6 The use of accessory attachments not recommended by the appliance manufacturer may result in fire, electric shock, or injury to persons.
- 7 This electrical appliance is not recommended for use outdoors. Do not use outdoors.
- 8 Do not let the cord hang over the edge of a table or counter, or touch hot surfaces.
- 9 Do not place on or near a hot gas or electric burner, or in a heated oven.
- 10 To disconnect, turn any control to "off," then remove the plug from the wall outlet.
- 11 Do not use the appliance for other than its intended use.
- 12 Do not attempt to modify or extend the power cord of this appliance.
- 13 Do not handle the plug with wet hands. This could result in an electric shock.
- 14 Unplug the power cord by holding the plug, never by pulling the cord.

- 15 This appliance has a polarized plug (one blade is wider than the other). To reduce the risk of electric shock, this plug is intended to fit into a polarized outlet only one way. If the plug does not fit fully into the outlet, reverse the plug. If it still does not fit, contact a qualified electrician. Do not attempt to modify the plug in any way.
- 16 Extreme caution must be used when moving an appliance containing hot oil or other hot liquids.
- 17 Household Use Only.
- 18 Do not cook on a broken cooktop. If the cooktop should break, cleaning solutions and spills may penetrate the broken cooktop and create a risk of electric shock.
- 19 Be careful when you clean the cooktop. If a wet sponge or cloth is used to wipe spills on a hot cooking surface, be careful to avoid steam burn. Also, some cleaners can produce noxious fumes if applied to a hot surface.
- 20 Do not place metallic objects, such as knives, forks, spoons, and lids, on the cooktop, because they can get hot.
- 21 **User Servicing** – Do not repair or replace any part of the appliance unless specifically recommended in the manual. All other servicing should be referred to a qualified technician.
- 22 **Use Only Dry Potholders** – Moist or damp potholders on hot surfaces may result in burns from steam. Do not let potholder touch hot heating elements. Do not use a towel or other bulky cloth.
- 23 **Use Proper Pan Size** – This appliance is equipped with one or more surface units of different size. Select utensils having flat bottoms large enough to cover the surface unit heating element. The use of undersized utensils will expose a portion of the heating element to direct contact and may result in ignition of clothing. Proper relationship of utensil to burner will also improve efficiency.
- 24 **Utensil Handles Should Be Turned Inward and Not Extend Over Adjacent Surface Units** – To reduce the risk of burns, ignition of flammable materials, and spillage due to unintentional contact with the utensil, the handle of a utensil should be positioned so that it is turned inward, and does not extend over adjacent surface units.
- 25 Unplug from outlet when not in use and before cleaning. Allow to cool before putting on or taking off parts.

SAVE THESE INSTRUCTIONS



WARNING

Electric Shock Hazard

Failure to follow these instructions can result in electric shock, fire, or death.

CAUTION: Do not use an extension cord.

Additional safety concerns

- 1 Never heat foods in sealed containers, such as compressed products, cans, or coffee pots, to avoid explosion caused by heat expansion.
- 2 Do not directly rinse this cooktop under water. Do not spill water or soup into the internal parts of the cooktop.
- 3 To avoid affecting product performance and to prevent injury, do not heat empty pots. When in use, do not leave the appliance without supervision for a long time. When leaving the appliance without supervision, make sure that there is enough water in the pot.
- 4 To avoid accidents, do not use the cooktop on a gas stove (the magnetic lines can heat the metal parts of the gas stove).
- 5 Do not heat iron items on the cooktop to avoid danger caused by high temperatures.
- 6 To avoid injuries such as scalding, do not let children operate the appliance alone. Children should be supervised to ensure that they do not play with the appliance.
- 7 To avoid danger, do not block or insert any foreign object into the air ventilation opening or air entry port.
- 8 To avoid danger, do not place paper, aluminum foil, cloth, or other unsuitable articles onto the cooktop heating plate for indirect heating.
- 9 When using the cooktop, do not put it on any metal platform (such as iron, stainless steel, or aluminum), or place a non-metal pad less than 4.7 in. (12 cm) thick on the heating plate.
- 10 **Warning:** People with heart pacemakers should consult a doctor. Only use the appliance after confirming that it does not affect the pacemaker.
- 11 To avoid damage, avoid causing impacts on the heating plate. If damaged, please stop using it and take it to a maintenance and repair site to have it replaced.
- 12 When using the cooktop, place it horizontally and allow at least 4.7 in. (12 cm) of free space between the sides and back of the cooktop and the wall. Do not use the cooktop in narrow spaces. To avoid overheating, do not cover the ventilation opening.
- 13 To avoid danger, if the power cord is damaged, have it replaced by agents of the manufacturer, its maintenance department, or specialized personnel from a similar department.
- 14 Use a dedicated and high quality power outlet with a high power rating, equal to or above 15A. Do not use poor quality outlets. Do not share the power outlet with electrical appliances with high power ratings such as air conditioners or electrical stoves, to avoid fires caused by overheating the outlet.
- 15 This cooktop should be kept clean during and after use. Protect the cooktop from bugs, dust, and humidity. Avoid letting anything fall into the interior of the cooktop, which could result in a short circuit of the electrical components. When not in use for a long period, clean it and put it into a plastic bag to store it.

- 16 Do not touch the cooktop surface with sharp tools, to avoid cracking or damaging the surface. If the cooktop surface is cracked, turn off the appliance to avoid electrical shock.
- 17 Do not use the cooktop on a carpet, tablecloth, or thin paper, to avoid blocking the air inlet opening or air outlet opening, which could result in overheating.
- 18 Do not use the cooktop near a gas stove, kerosene stove, gas cooker, or in any space with an open fire or an environment with high temperatures.
- 19 Do not overload the cooktop. Overloading the cooktop may damage the plastic cover and cooktop surface.
- 20 Always clean the cooktop to prevent dirt from getting into the fan, which could influence the normal operation of the appliance.
- 21 When operating the appliance or after moving the cookware, the cooking area remains hot for a period of time. Do not touch it and be careful of scalding caused by the high temperature.
- 22 This appliance is not intended for use by persons (including children) with reduced physical, sensory, or mental capabilities or lack of experience and knowledge, unless they have been given supervision or instruction concerning the use of the appliance by a person responsible for their safety.
- 23 This appliance is intended to be used in household and similar applications.
- 24 Never use the cooktop without food in the cookware, as its performance may be affected and a safety hazard may result.
- 25 **Warning:** We suggest that you periodically check to make sure that there are no objects (glass, paper, or similar items) that could obstruct the inlet under your cooktop.
- 26 **Warning:** Keep electrical appliances out of reach from children or persons with reduced physical, sensory, or mental capabilities or lack of experience and knowledge. Do not let them use the appliance without supervision.
- 27 **Warning:** Do not operate this appliance by means of an external timer or separate remote-control system.
- 28 Do not use water on grease fires. Smother fire or flame or use dry chemical or foam-type extinguisher.
- 29 Wear proper apparel. Loose-fitting or hanging garments should never be worn while using the appliance.
- 30 Never leave surface units unattended at high heat settings. Boilover causes smoking and greasy spillovers that may ignite.
- 31 Storage on appliance. Flammable materials should not be stored near surface units.
- 32 **Caution:** Do not store items of interest to children in cabinets above a range or on the backguard of a range. Children climbing on the range to reach items could be seriously injured.

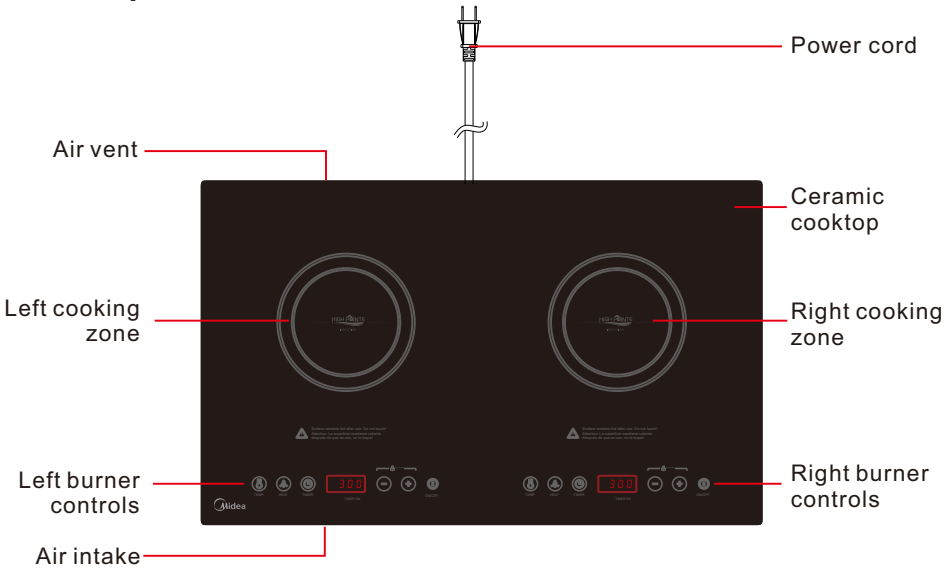
Features

- Glass cooktop evenly distributes heat
- 10-stage power levels and 3-hour timer for versatile use
- Feather-touch controls for easy operation
- Temperature protection and child lock provide added safety

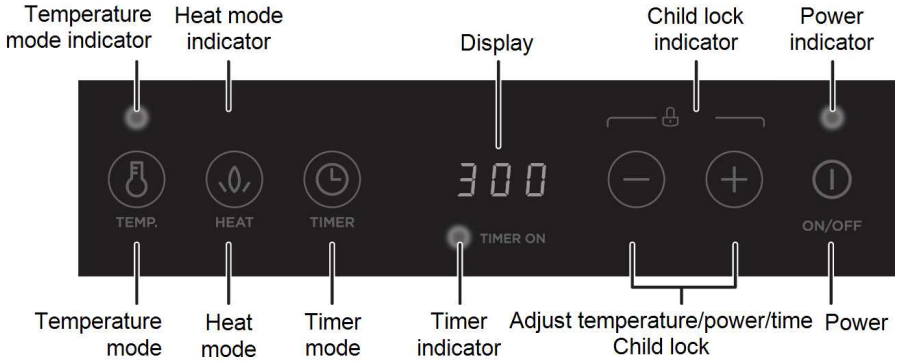
Package contents

- Induction Cooktop
- Fan covers (2)
- *User Guide*

Cooktop

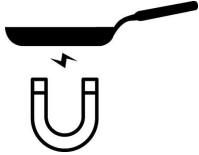
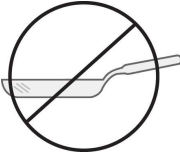


Control panel



Cookware compatibility

- Hold a magnet to the bottom of your cookware. If it clings, it will usually work with your cooktop:

Works	Does not work
<p>Cast iron, iron, steel/stainless steel, enameled iron</p> 	<p>Glass, ceramic, aluminum, copper, and other non-magnetic materials</p> 

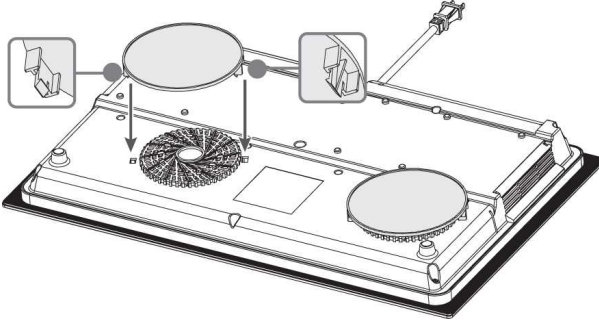
- Use a pan with a flat bottom.
- Use pans with a 4.7 in. (12 cm) diameter or larger. The cooktop cannot detect smaller pans and will not heat.

Assembling your cooktop

- 1 Carefully turn the cooktop upside down.
- 2 Push the fan cover connectors into the holes next to the fans until you hear a click.

Note

The connectors are different sizes. If they don't fit in the holes, turn the fan cover 180°.



- 3 To install the cooktop into your counter, see Installing your cooktop (on the next page).

Caution: This operation is just suitable for built-in type, if use on the table, please ignore

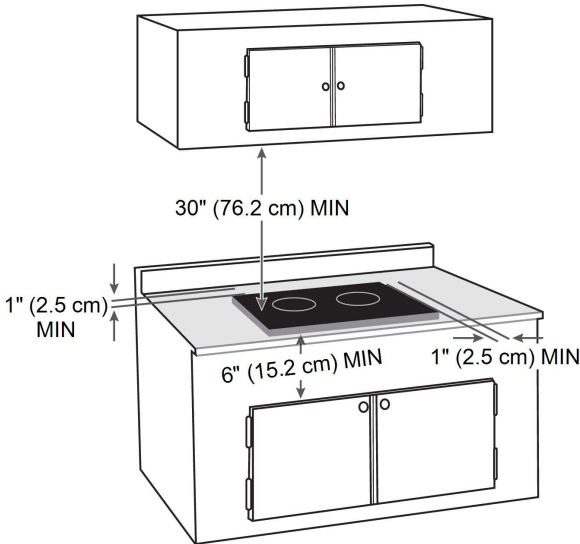
Installing your cooktop

Follow these instructions to install the cooktop into your counter. Make sure that your cooktop is properly installed by a qualified technician.

Positioning your cooktop

Before cutting, make sure that your cooktop will have:

- At least 30" (76.2 cm) between the cooktop and overhead surfaces
- At least 6" (15.2 cm) between the bottom of the cooktop and surfaces below
- At least 1" (2.5 cm) from the edge of any walls or cabinets
- An available power outlet under your counter



Caution

To eliminate the risk of burns or fire by reaching over heated surface units, cabinet storage space located above the surface units should be avoided. If cabinet storage is to be provided, the risk can be reduced by installing a range hood that projects horizontally a minimum of 5 in. (12.7 cm) beyond the bottom of the cabinets or 30 in. (76.2 cm) minimum clearance between the top of the cooking surface and the bottom of an unprotected wood or metal cabinet.

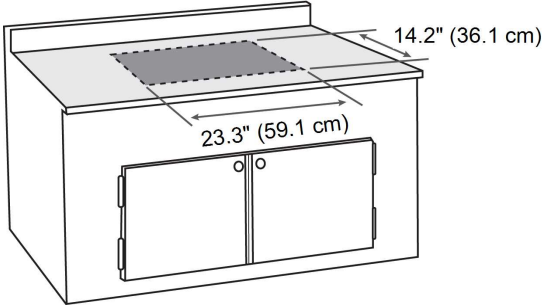
Caution: This operation is just suitable for built-in type, if use on the table, please ignore

Installing your cooktop

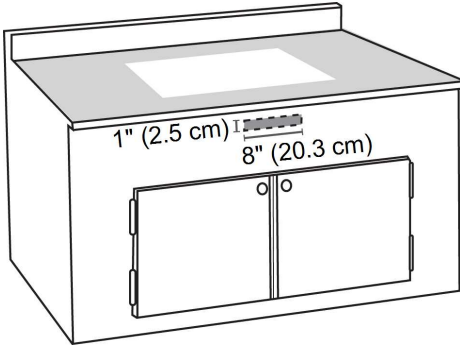
Note

When cutting, use tools that are appropriate for your counter and cupboard.

- 1 Cut a 23.3×14.2 in. (59.1×36.1 cm) hole into the top of your counter.

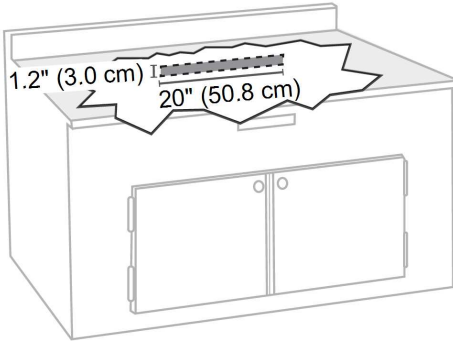


- 2 Cut a 8×1 in. (20.3×2.5 cm) hole into the front of your cupboard to vent your cooktop.



Caution: This operation is just suitable for built-in type, if use on the table, please ignore

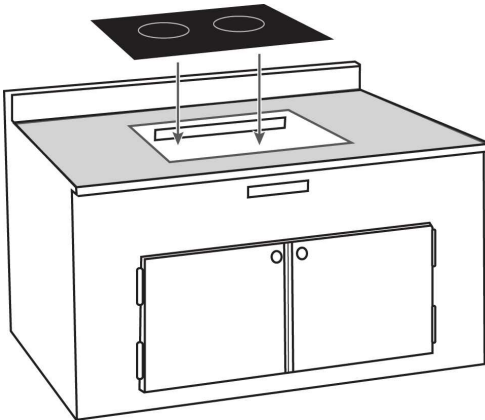
- 3** Cut a 20 × 1.2 in. (50.8 × 3.0 cm) hole into the back wall of your cupboard to vent your cooktop. Make sure that the cut is centered and 1 in. (2.5 cm) from the surface of your counter.



- 4** Carefully place the cooktop into the hole in your counter.

Note

Before installing your cooktop, make sure that the fan covers are attached. See [Assembling your cooktop \(on page 9\)](#) for instructions.



Caution: This operation is just suitable for built-in type, if use on the table, please ignore

IMPORTANT INSTRUCTIONS

Using your cooktop

Note

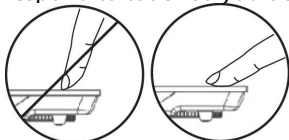
After the first use, it is normal for white spots to appear on the bottom of your pan. See [Cleaning and maintenance \(on page 16\)](#) for more information.

Checking pan compatibility

- Hold a magnet to the bottom of your cookware. If it clings, it will usually work with your cooktop. See [Cookware compatibility \(on page 8\)](#) for more information.

Using touch controls

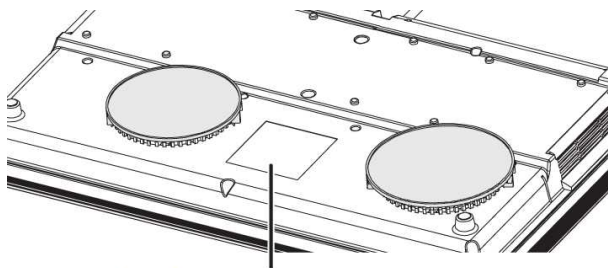
- Touch the controls with the ball of your finger (not the tip). The controls respond to touch so you don't need to apply any pressure.



- Make sure that the controls are clean, dry, and uncovered.

Cooking with your cooktop

- 1 Read the nameplate on the back of the cooktop before connecting the power cord.



Read before connecting to a power outlet

- 2 Plug the power cord into a power outlet.

Note


Do not use an extension cord to connect your cooktop. If the power cord is too short, have a qualified electrician or serviceman install an outlet near the appliance.



- 3 Place a pan on the cooktop.
 4 Press **ON/OFF** to turn on your cooktop. The cooktop beeps once.


Note

If there is no operation within 10 seconds, the cooktop turns off automatically. If there isn't a compatible pan on the cooktop, the display shows "U" for 10 seconds to indicate a pan is required.

- 5 Press  **TEMP** to enter temperature mode, then press $+$ or $-$ to select the temperature you want:

Level	1	2	3	4	5	6	7	8	9	10	11
Temperature	120°F (49°C)	150°F (66°C)	180°F (82°C)	210°F (99°C)	250°F (121°C)	300°F (149°C)	325°F (163°C)	350°F (177°C)	375°F (191°C)	425°F (218°C)	450°F (232°C)


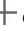

OR

- Press  **HEAT** to enter heating mode, then press $+$ or $-$ to select the wattage you want.

Level	1	2	3	4	5	6	7	8	9	10
Wattage	300W	500W	750W	800W	850W	900W	950W	1100W	1300W	1440W

Using the timer

Use timer mode with temperature or heat mode to select how long you want the cooktop to run.



- 1 While in temperature mode, press  **TIMER**. The “timer” indicator lights up and “0:00” blinks on the screen.
- 2 Press  or  to adjust the time duration. You can set the timer from one minute to three hours.

Tip

Press briefly to change the time by one minute increments. Press and hold to adjust by 10 minute increments.



- 3 When the countdown is done, the cooktop beeps until you press **any key** to turn off the timer.

Locking the control panel

- To lock the cooktop, press  and . The lock indicator lights up.

Note

While locked, removing a pan or pressing the **ON/OFF** button will turn off the cooktop.

- To unlock the cooktop, press  and . The lock indicator turns off.

Cleaning and maintenance

Cleaning your pans

- After the first use, it is normal for white spots to appear on the bottom of your pan. To remove the spots, pour vinegar into your cookware, heat it to about 140-176°F (60-80°C), then wipe the spots away with a brush.

Cleaning your cooktop

- Before cleaning, turn off the cooktop and wait until the cooktop is cool.
- Never immerse the cooktop or power cord in water.
- To clean the ceramic cooktop, wipe with a soft, moist cloth and a mild detergent.
- Use a ceramic glass cooktop cleaner to remove tough residue and stains.
- Use a razor blade or scraper to remove burnt-on food.
- After a while, the air intake and vent may accumulate dust or other debris. Wipe it with a dry cloth, soft brush, or mini vacuum cleaner. Do not rinse with water.
- Do not use abrasive cleaners or cloths.

Troubleshooting

Problem	Solution
The display does not light up	<ul style="list-style-type: none">• Make sure that the power cord is plugged into a working outlet.• Make sure that the power cord is not damaged.
The cooktop does not heat	<ul style="list-style-type: none">• Make sure that you are using a compatible pan. See Cookware compatibility (on page 8).• Make sure that the pan's bottom is flat, centered, and large enough for the cooking zone.• The cooktop cannot detect smaller pans. Make sure that the pan's diameter is at least 4.7 in. (12 cm).• Make sure that the pan is centered on the cooking zone.• Make sure that the cooktop is plugged into a working outlet.• Make sure that the correct cooking zone is being used.• Make sure that the cooktop is not locked.

Problem	Solution
The cooktop stops heating	<ul style="list-style-type: none"> • Make sure that the air intake and vent are not blocked. • Make sure that the controls are clean. • The cooktop automatically turns off if the pan is removed for more than 10 seconds. • The heating time may have finished. Reset the timer. • Built-in safeguards may have turned it off. Wait several minutes before attempting to turn your cooktop back on.
Cooking zone heats food too hot or not hot enough	<ul style="list-style-type: none"> • Make sure that you are using good quality pans (not lightweight or warped pans). • Adjust the temperature level until the correct amount of heat is used.
Scratches on the cooktop	<ul style="list-style-type: none"> • Do not scrape utensils across the cooktop. • Do not use abrasive cleaners on the cooktop. • Use a ceramic glass cooktop cleaner to remove the marks.

Problem		Solution
The display shows an error code	E1	The main sensor has an open circuit. If the error persists, bring your cooktop to a repair technician to be fixed.
	E2	The main sensor has short circuited. If the error persists, bring your cooktop to a repair technician to be fixed.
	E3	The main sensor is too hot: <ul style="list-style-type: none"> • If the cooktop is hot, wait for it to cool. • If the error persists when the cooktop is cool, bring your cooktop to a repair technician to be fixed.
	E4	The IGBT sensor has an open circuit. If the error persists, bring your cooktop to a repair technician to be fixed.
	E5	The IGBT sensor has short circuited. If the error persists, bring your cooktop to a repair technician to be fixed.
	E6	The IGBT sensor is hot. If the error persists, bring your cooktop to a repair technician to be fixed.
	E7	The voltage is too low. If the error persists, bring your cooktop to a repair technician to be fixed.
	E8	The voltage is too high. If the error persists, bring your cooktop to a repair technician to be fixed.
	EA	The cooktop may be dry burning. If the error persists, bring your cooktop to a repair technician to be fixed.
	EB	The main sensor is invalid. If the error persists, bring your cooktop to a repair technician to be fixed.
EC	The fan is malfunctioning. If the error persists, bring your cooktop to a repair technician to be fixed.	

Any other serving should be performed by an authorized service representative.

Specifications

Dimensions	24.4 × 15 × 2.8 in. (62.0 × 38.1 × 7 cm)
Weight	14.1 lbs. (6.4 kg)
Voltage	120V, 60 Hz
Wattage	Left burner: 1440W Right burner: 1440W Dual burners: 1440W
Country of origin	China

Legal Notices

FCC statement

This equipment has been tested and found to comply with Part 18 of the FCC Rules. Operation is subject to the following two conditions: (1) This device may not cause harmful interference, and (2) this device must accept any interference received, including interference that may cause undesired operation.

This equipment generates, uses and can radiate radio frequency energy and, if not installed and used in accordance with the instructions, may cause harmful interference to radio communications. However, there is no guarantee that interference will not occur in a particular installation. If this equipment does cause harmful interference to radio or television reception, which can be determined by turning the equipment off and on, the user is encouraged to try to correct the interference by one or more of the following measures:

- Reorient or relocate the receiving antenna.
- Increase the separation between the equipment and receiver.
- Connect the equipment into an outlet on a circuit different from that to which the receiver is connected.
- Consult the dealer or an experienced radio/ TV technician for help.

FCC Caution

Changes or modifications not expressly approved by the party responsible for compliance could void the user's authority to operate the equipment.

DISCLAIMER

Information in this User's Manual is subject to change without notice. Tatung assumes no responsibility for any inaccuracies that may be contained in this User's Manual. If you find information in this manual that is incorrect, misleading, or incomplete, we would appreciate your comments and suggestions.